

For reference only. See data sheet for the detailed specifications.

Technical Specification



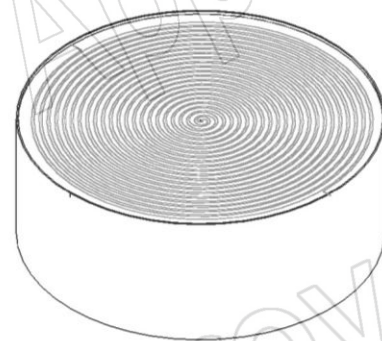
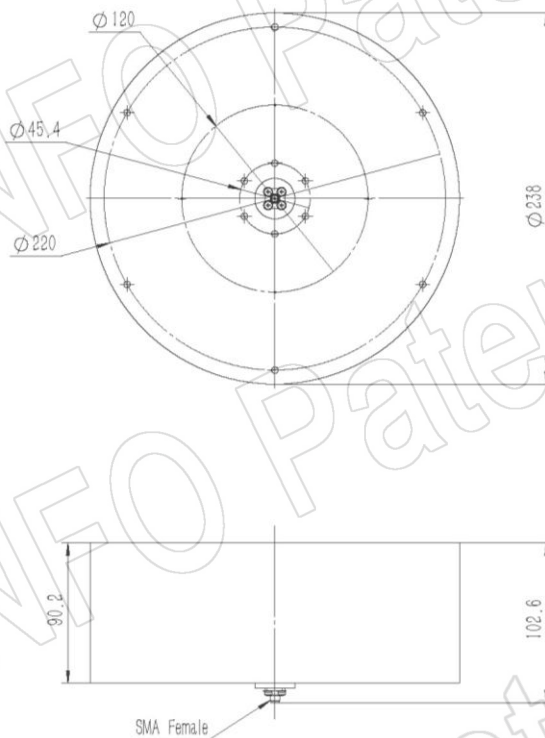
Frequency Range(GHz)	0.5 – 2.0	
Gain(dBic)	-18.0 – 1.0	
	-6.0 Typ.	
Polarization	RHCP or LHCP	
Axial Ratio(dB)	1.0 Typ.	
	3.0 Max.	
3dB Beamwidth(deg)	E Plane:	125 - 90
	H Plane:	90 - 70
VSWR	1.5:1 Typ.	
	2.0:1 Max.	
Connector	SMA-Female	
Material	Al	
Size(mm)	238 x 238 x 102.6	
Net Weight(Kg)	2.90 Around	

PATENT ID (China)

ZL201921373071.0

Outline Drawing (Size: mm)

SMA-Female Output (P/N: LX-520_RHCP or LX-520_LHCP)



AINFO Inc.

Page 1 of 5

China(Beijing):
China(Chengdu):
USA :

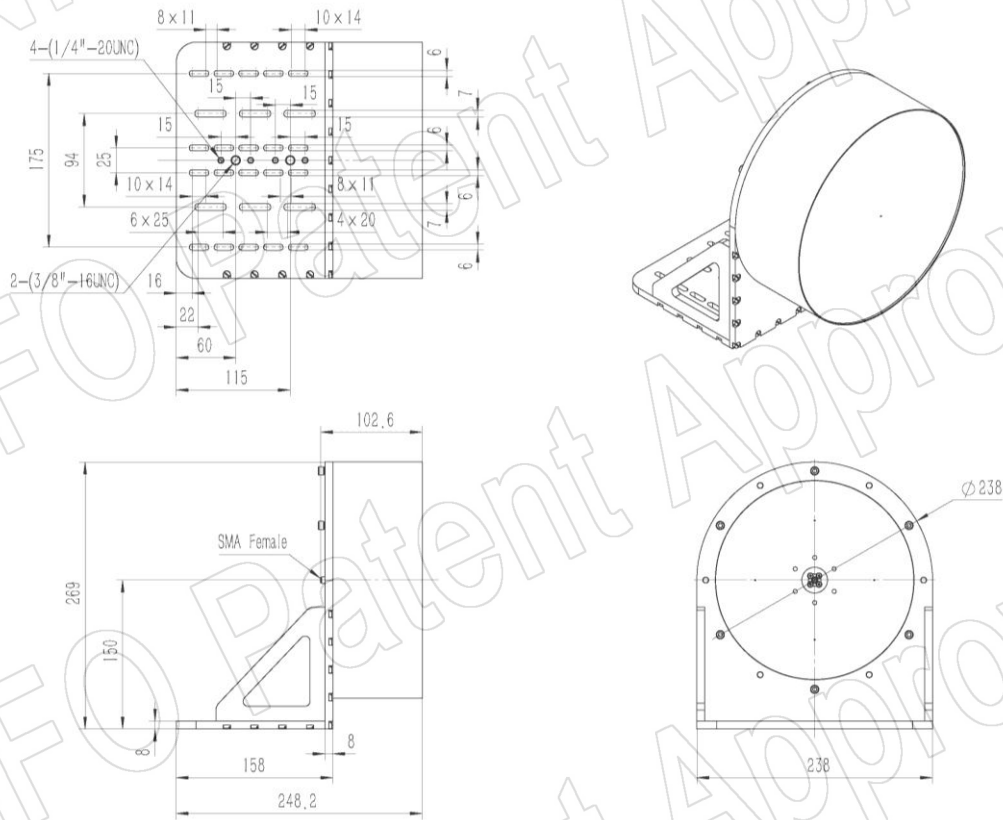
Tel: (+86) 10-6266-7326,
Tel: (+86) 28-8519-2786,
Tel: (+1) 949-639-9688,

(+86) 10-6266-7327
(+86) 28-8519-3044
(+1) 949-639-9608

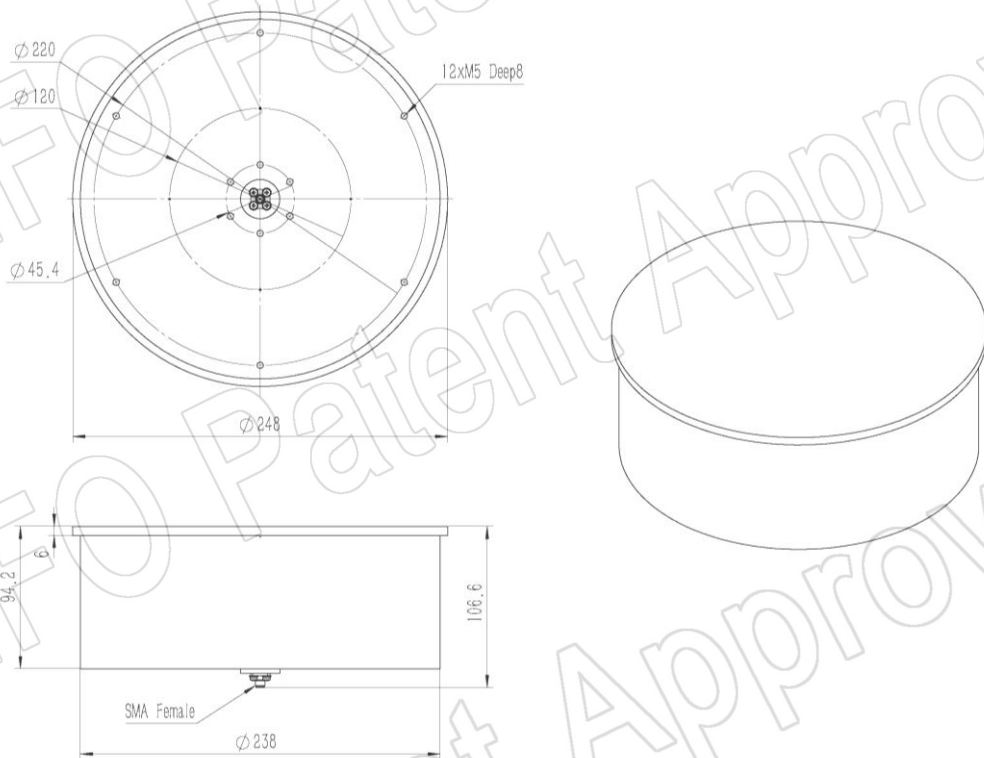
Fax: (+86) 10-6266-7379
Fax: (+86) 28-8519-3068
Fax: (+1) 949-639-9670

Website: www.ainfoinc.com
Email: sales@ainfoinc.com

SMA-Female Output with L Type Mounting Bracket (Option, P/N: LX-520-L)

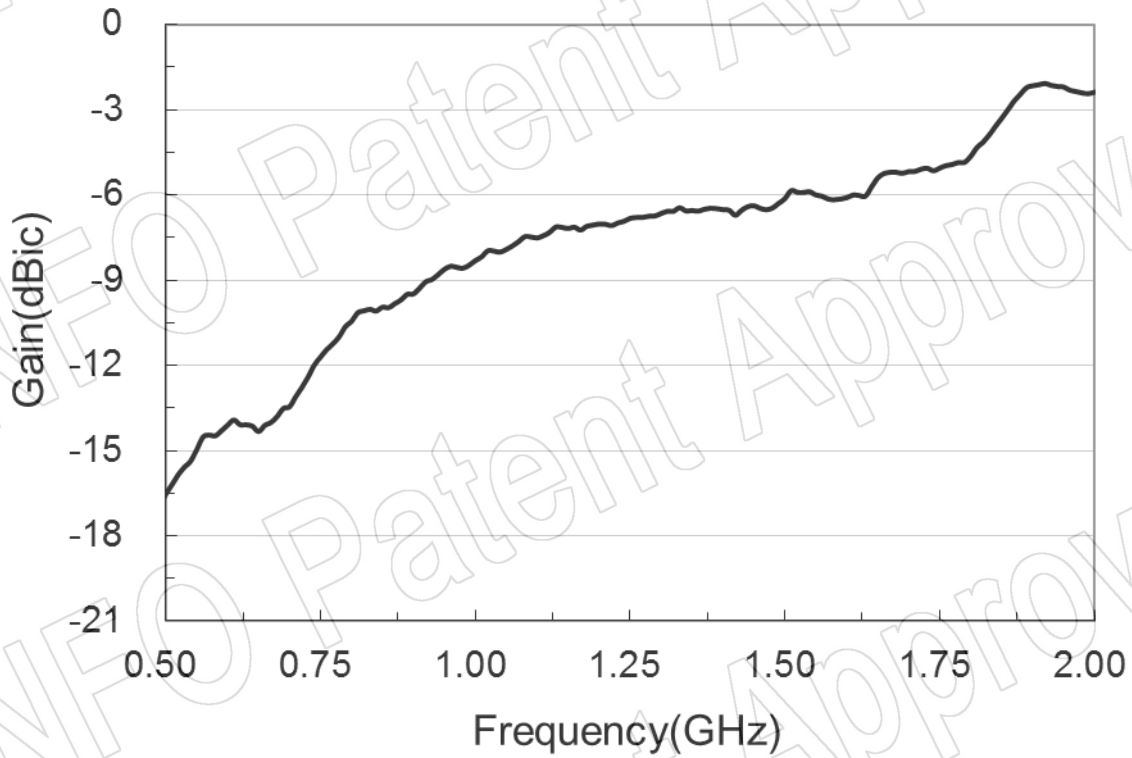


SMA-Female Output with Radome (Option, P/N: LX-520_RHCPSP0 or LX-520_LHCPSP0, Outdoor Application)

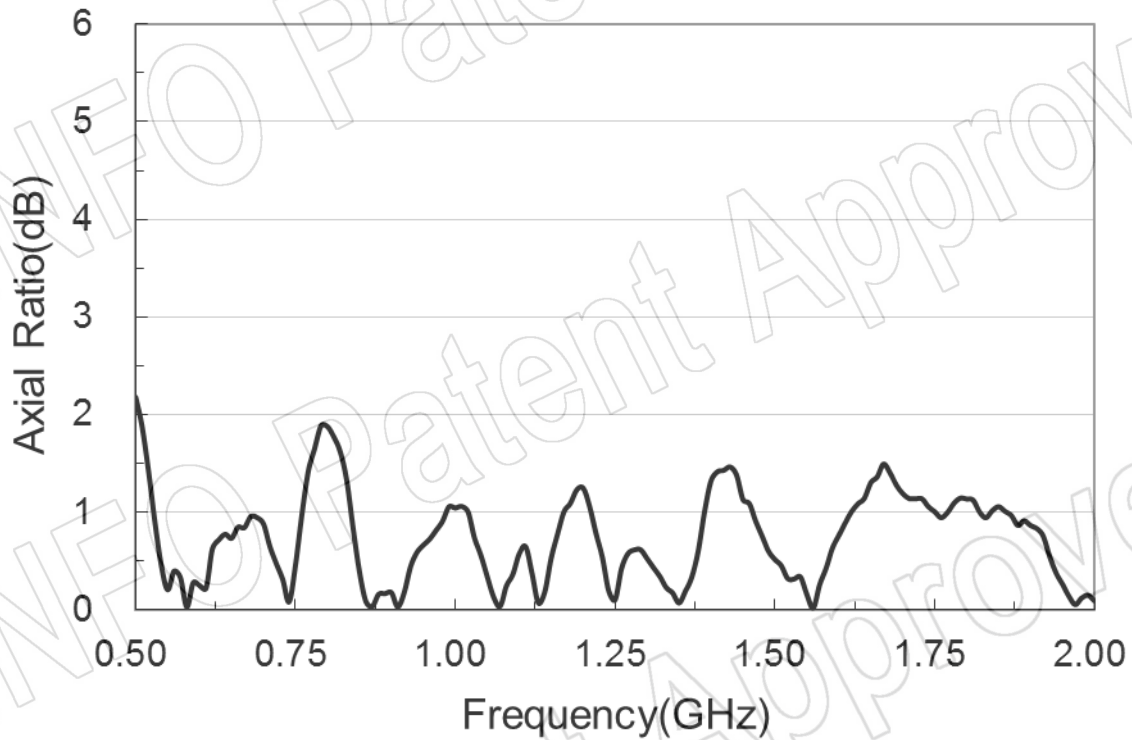


Test Results

1. Gain



2. Axial Ratio



AINFO Inc.

Page 3 of 5

China(Beijing):
China(Chengdu):
USA :

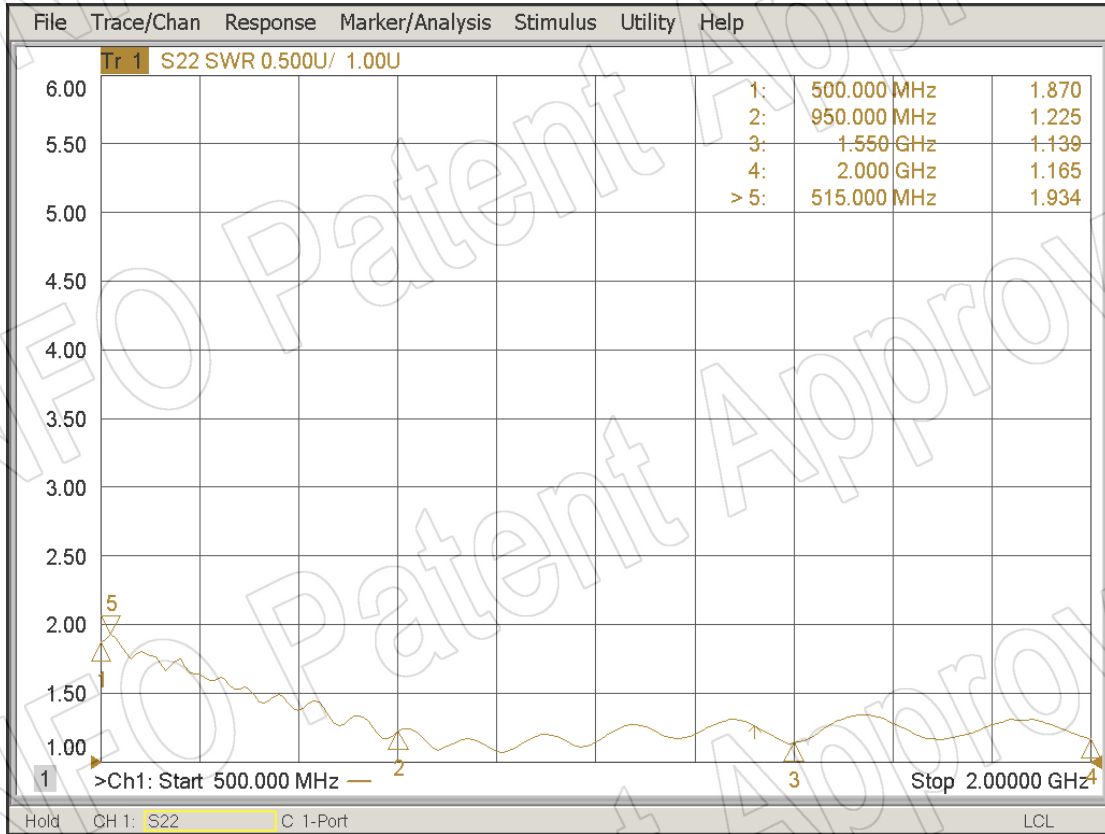
Tel: (+86) 10-6266-7326,
Tel: (+86) 28-8519-2786,
Tel: (+1) 949-639-9688,

(+86) 10-6266-7327
(+86) 28-8519-3044
(+1) 949-639-9608

Fax: (+86) 10-6266-7379
Fax: (+86) 28-8519-3068
Fax: (+1) 949-639-9670

Website: www.ainfoinc.com
Email: sales@ainfoinc.com

3. VSWR



4. Pattern

